

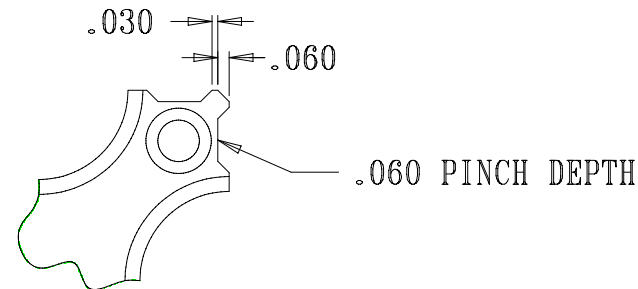
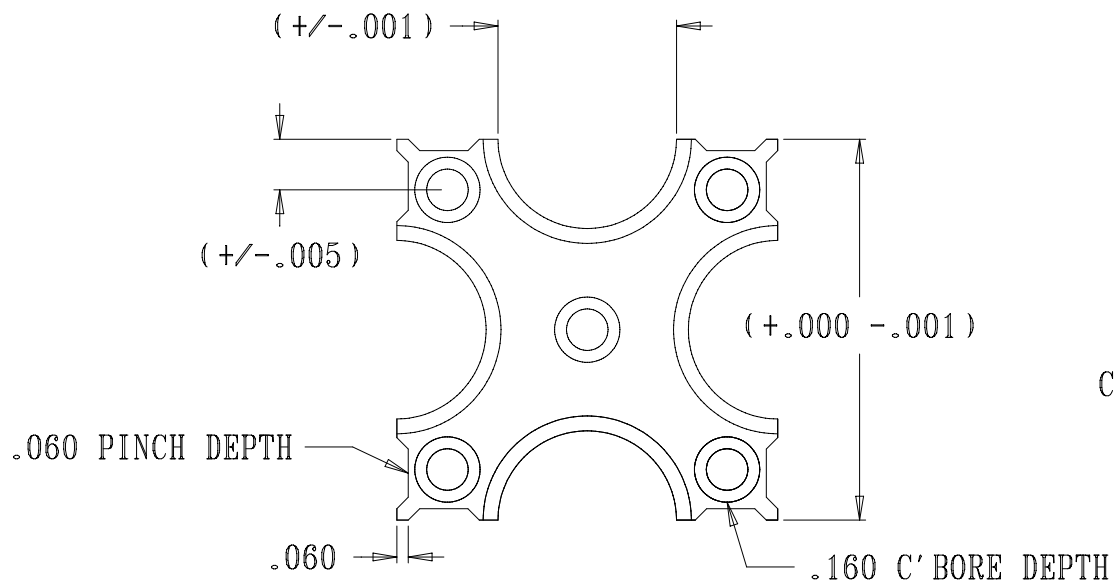
STANDARD STRIKER PLATE MATERIAL:
A2 TOOL STEEL

STANDARD HEAT TREAT SPEC.
59/60 RC SCALE

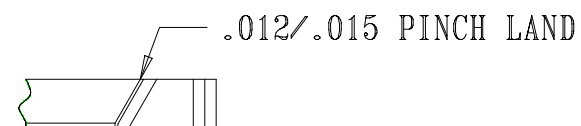


* NOTE THAT THESE ARE
STANDARD SPECS. VARIATIONS
ARE AVAILABLE AS PER
CUSTOMERS NEEDS*

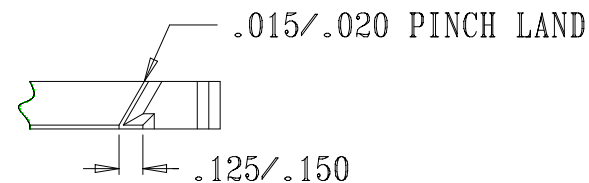
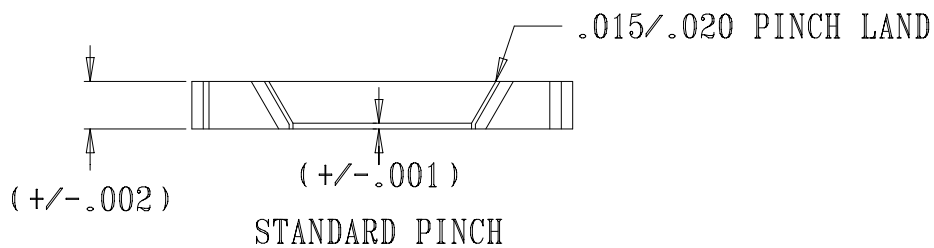
STRIKER PLATE STANDARD TOLERANCES



CHAMFERED HEEL/PRETIUM STYLE



MILLED PINCH



DAN

02/18/05