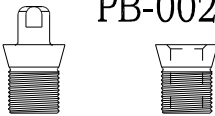
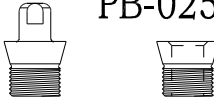
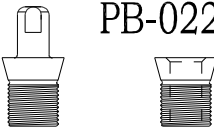
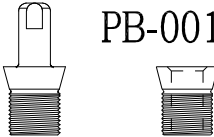
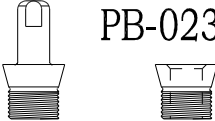
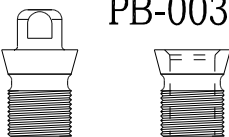
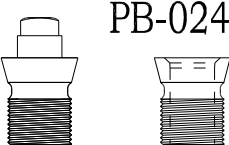
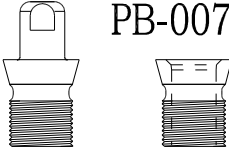
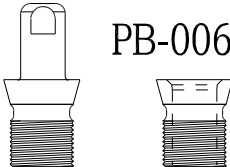
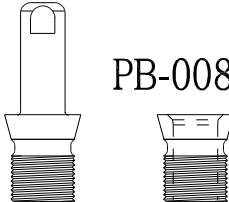
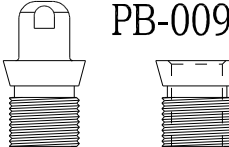
 PB-019	 PB-002	 PB-025	 PB-022
<p>1/4 \varnothing PIN X .375 LONG 7/16-20 THREAD 2 FLATS</p>	<p>5/16 \varnothing PIN X .375 LONG 1/2-20 THREAD 2 FLATS</p>	<p>5/16 \varnothing PIN X .375 LONG 1/2-20 THREAD 2 FLATS SAME AS THE PB-002 WITH FEWER THREADS</p>	<p>5/16 \varnothing PIN X .500 LONG 1/2-20 THREAD 2 FLATS</p>

 PB-001	 PB-023	 PB-003	 PB-024
<p>5/16 \varnothing PIN X .625 LONG 1/2-20 THREAD 2 FLATS</p>	<p>5/16 \varnothing PIN X .625 LONG 1/2-20 THREAD 2 FLATS SAME AS THE PB-001 WITH FEWER THREADS</p>	<p>7/16 \varnothing PIN X .393 LONG 5/8-18 THREAD 4 FLATS</p>	<p>7/16 \varnothing PIN X .393 LONG 5/8-18 THREAD SPECIAL FLATS DESIGNED FOR WHEEL MOLDS</p>

 PB-007	 PB-006	 PB-008	 PB-009
<p>7/16 \varnothing PIN X .570 LONG 5/8-18 THREAD 4 FLATS</p>	<p>7/16 \varnothing PIN X .750 LONG 5/8-18 THREAD 4 FLATS</p>	<p>7/16 \varnothing PIN X 1.100 LONG 5/8-18 THREAD 4 FLATS</p>	<p>1/2 \varnothing PIN X .580 LONG 11/16-16 THREAD 2 FLATS</p>