

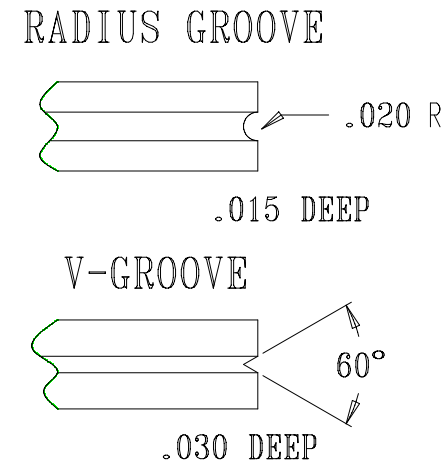
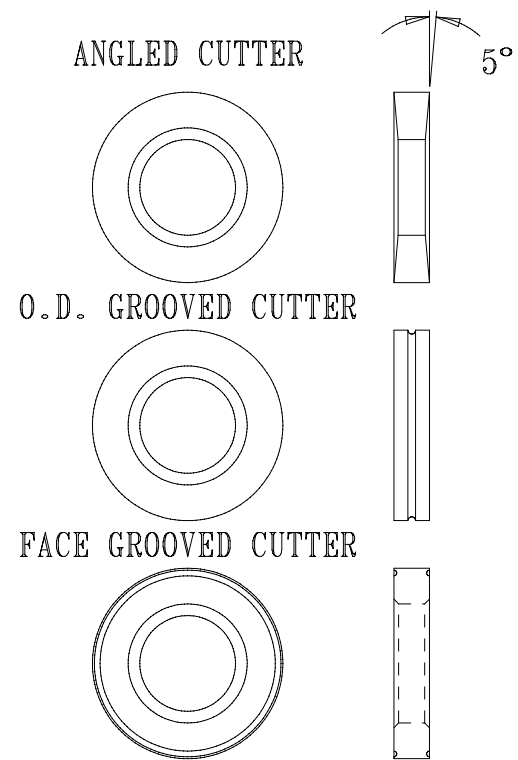
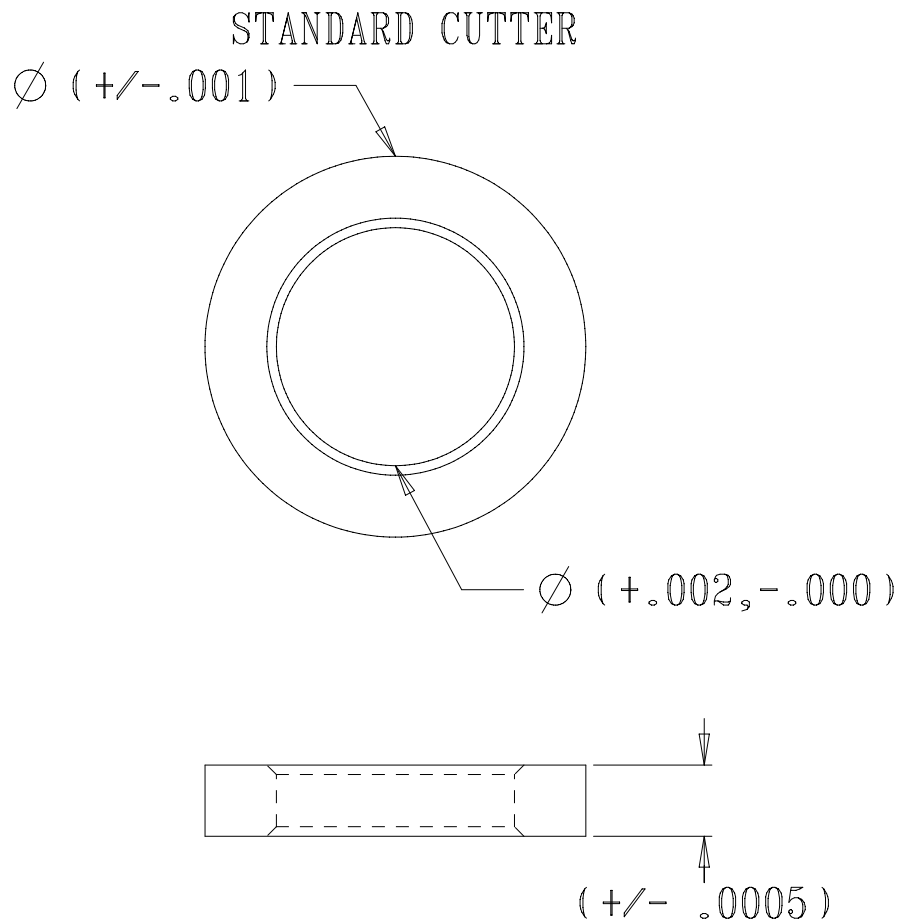
STANDARD CUTTING SLEEVE MATERIAL:
52100 TOOL STEEL

STANDARD HEAT TREAT SPEC.
57/58 RC SCALE



* NOTE THAT THESE ARE
STANDARD SPECS. VARIATIONS
ARE AVAILABLE AS PER
CUSTOMERS NEEDS*

CUTTING SLEEVE STANDARD TOLERANCES



* 45° X .025 (-.000, +.010)
CHAMFER BOTH SIDES OF THE I.D.*

DAN
02/18/05