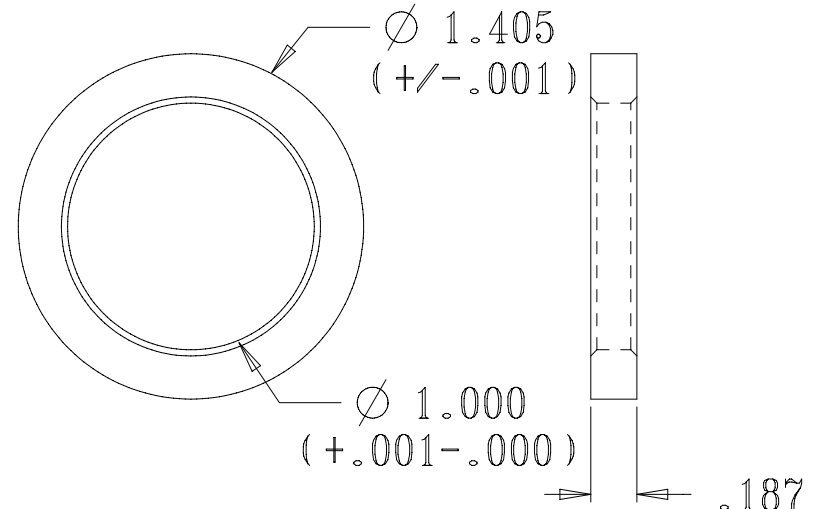
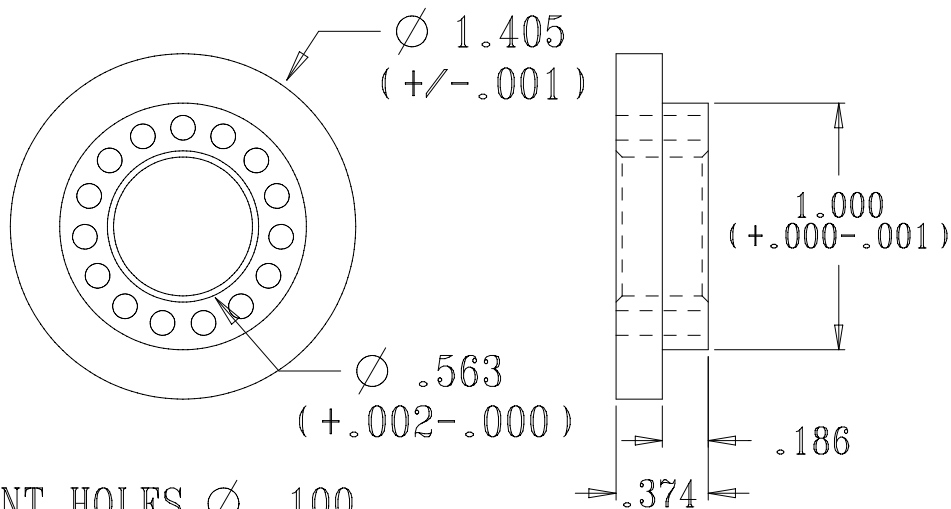


AIR COOLED CUTTER ASSEMBLY

AIR COOLED CUTTER ASSEMBLY = 1 CUTTER HOLDER AND 10 CUTTERS

AIR COOLED CUTTER HOLDER

DISPOSABLE CUTTER



15 VENT HOLES $\varnothing .100$
ON A $.425$ RADIUS

EXAMPLE: ACCA-1405-563

$.025 \times 45^\circ$ CHAMFER ON
BOTH SIDES OF THE I. D.

PROPRIETARY AND CONFIDENTIAL

THE INFORMATION CONTAINED IN THIS DRAWING IS THE SOLE PROPERTY OF AIRO TOOL & MFG. ANY REPRODUCTION IN PART OR AS A WHOLE WITHOUT THE WRITTEN PERMISSION OF AIRO TOOL & MFG IS PROHIBITED.



AIRO
TOOL & MANUFACTURING CO.

DRAWN BY	<i>DAN</i>	SIZE	A4	MATERIAL	52100	DWG NO.	ACCA-1405-563	REV	
DATE	01/10/06	SCALE	1:1	H.T.	57/58 RC				